

Unit 12 The Earth

12a Earth trends

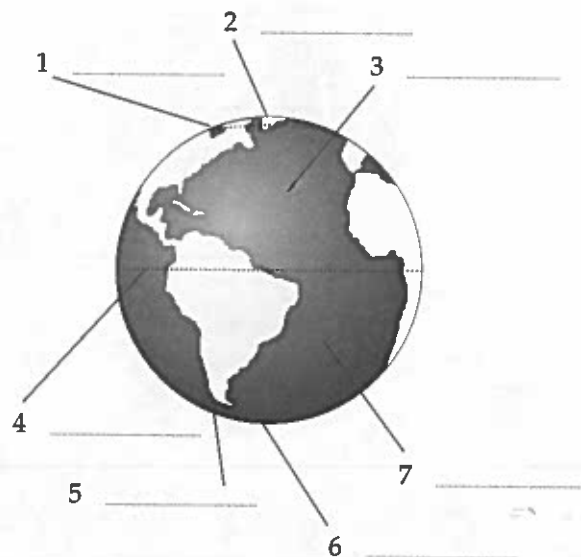
Vocabulary measurements

- 1** Match the sentence beginnings (1–6) with the endings (a–f).
- 1 The area of Antarctica is
 - 2 Water becomes ice at a temperature below zero
 - 3 The average adult should drink
 - 4 Thirty percent
 - 5 The height of the tallest tree on Earth is
 - 6 The weight of the International Space Station (ISS) is
- a of the Earth's surface is dry land.
 - b degrees Celsius.
 - c five point four million square miles.
 - d four hundred and fifty tons.
 - e two point five quarts of water per day.
 - f four hundred and twenty-five feet.

2 Vocabulary extra the Earth

Label the diagram with these words.

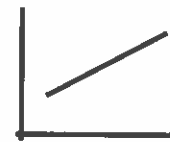
Antarctic Circle	Arctic Circle	Equator
North Pole	Northern Hemisphere	
South Pole	Southern Hemisphere	



Grammar will/won't

- 3** Look at the trends for a small town in England. Write sentences with *will* / *won't*.

Number of cars



- 1 The number of cars will increase.

Number of houses



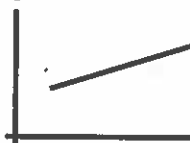
- 2 The number of _____ stay the same.

Number of children



- 3 The number of _____ increase.

Temperature in the summer



- 4 The temperature in _____ decrease.

Rainfall in the winter



- 5 The rainfall in _____ decrease.

Number of people



- 6 The number of _____ increase.

12b Exploring places

Vocabulary land and water

1 Complete the sentences about the places with these words.

desert forest island lake mountain
ocean river sea

- 1 Malta is a beautiful _____ in the Mediterranean Sea.
- 2 The Pacific _____ separates Asia, Australasia, and the Americas.
- 3 30% of all the trees in the world are in the boreal _____ in Canada, Scandinavia, and Russia.
- 4 Kilimanjaro in Tanzania was a volcano and now it's a _____.
- 5 _____ Urmia is the largest one of its kind in the Middle East.
- 6 Nine countries are next to the Baltic _____.
- 7 The _____ Ganges is 1,570 miles long and goes from India to Bangladesh.
- 8 The Gobi _____ covers large parts of southern Mongolia and northern China.

Grammar definite *the* or no article + names

2 Write *the* or \emptyset (no article) before these names of places.

- 1 _____ Maldiv Islands
- 2 _____ Atlantic Ocean
- 3 _____ Europe
- 4 _____ Mount Kilimanjaro
- 5 _____ Malta
- 6 _____ River Nile
- 7 _____ Lake Balaton
- 8 _____ Peru
- 9 _____ Sahara Desert
- 10 _____ Asia
- 11 _____ River Mississippi
- 12 _____ Iceland
- 13 _____ Mediterranean Sea

14 _____ Black Forest

15 _____ Himalayan Mountains

3 There are three mistakes in this quiz. Cross out the extra word in three of the questions.

How much do you know about the world?
Test your knowledge.



- 1 What's the longest river?
- 2 Which ocean is the Madagascar in?
- 3 What is the nationality of someone from the Netherlands?
- 4 Where is the Lake Vostok?
- 5 Which continent are the Alps in?
- 6 Where is the Mount Ararat?

4 Can you answer the questions in the quiz in Exercise 3? Check your answers on page 72.

Word focus *how*

5 Complete the *how* questions with these words.

far fast high long old tall well

- 1 How _____ is Felix Baumgartner?
- 2 How _____ did the balloon carry him?
- 3 How _____ was the balloon?
- 4 How _____ could he see the Earth from his capsule?
- 5 How _____ did the jump take?
- 6 How _____ did he travel down to Earth?
- 7 How _____ did Joe Kittinger jump in 1960?

12c Planets

Vocabulary the Earth and other planets

1 Complete the text about Pluto with these words.

astronomers orbit planets rock star
surface travel

The ¹ _____ at the center of our solar system is called the Sun. There are eight ² _____ in our solar system, including the Earth, and they all ³ _____ the Sun. But before 2006, there were nine planets. Pluto was the smallest planet in our solar system. ⁴ _____ discovered Pluto in 1930. Through a telescope, the ⁵ _____ of Pluto looks different colors. It is made of ⁶ _____ and ice. Humans could not live on Pluto so we will probably never ⁷ _____ there. In 2006, scientists decided Pluto was not a planet.

Reading space news

Astronomers have found the nearest planet to our solar system. It orbits a star in the region of space called Alpha Centauri. That's four light years from the Earth. The planet is similar in size to Earth, but it is very close to its star. For this reason, humans could not live on it. However, stars often have more than one planet, so the discovery is exciting. It's possible that there are other planets in the same solar system.

Planets near other stars are called exoplanets and astronomers have found hundreds of them since the nineties. Using powerful telescopes, they look for a star in another solar system and then they look for planets orbiting it. Recently, astronomers found a star two thousand light years away with six planets around it, and experts think there are probably thousands or millions more exoplanets in the universe.

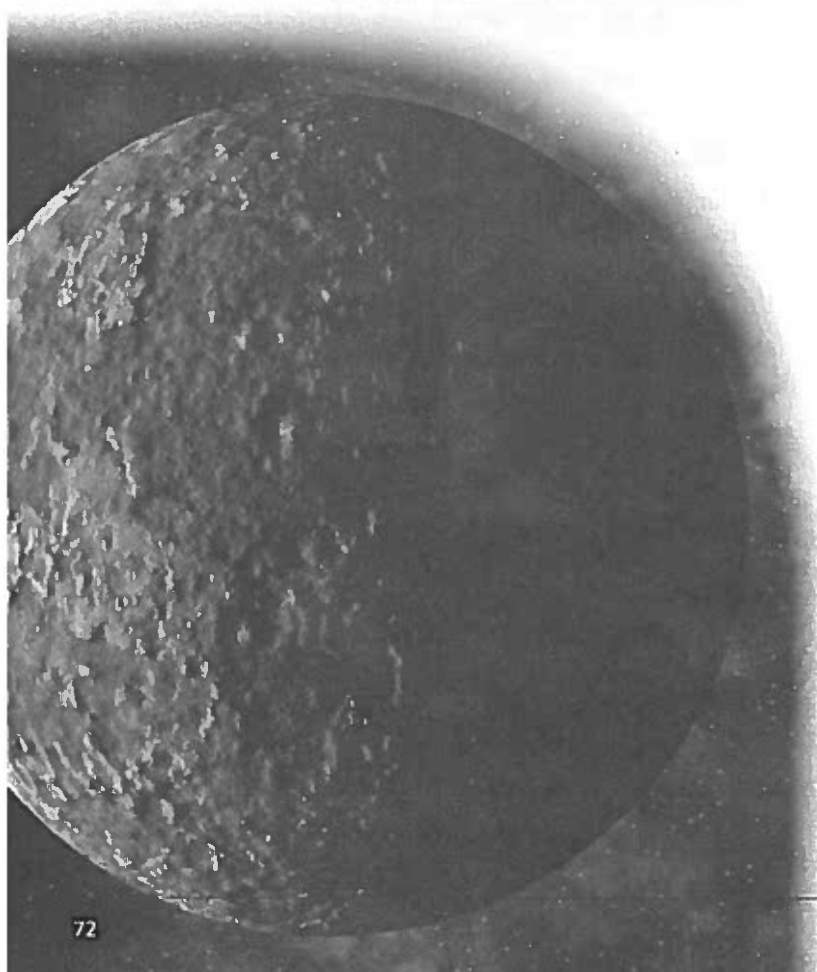
2 Match the numbers (1-4) with the information (a-d).

- 1 four _____
- 2 hundreds _____
- 3 six _____
- 4 thousands or millions _____

- a the number of exoplanets that scientists have found since the nineties
- b the number of exoplanets that scientists think are in the universe
- c the number of light years between the region in space called Alpha Centauri and the Earth
- d the number of exoplanets around a star two thousand light years away

Answers to 12b Exercise 4

1 the River Nile 2 the Indian Ocean 3 Dutch
4 Antarctica 5 Europe 6 Turkey



12d A special day

Reading national tree planting day

Good morning and thank you for coming. My name's Joel and I'm from Jamaica. Today, I'd like to talk about an important day in my country. It's called National Tree Planting Day.

First of all, National Tree Planting Day is on the first Friday in October every year. The first National Tree Planting Day was in 2002. Since then, people have planted 50,000 trees across the island.

Nowadays, everyone from schoolchildren to business people are involved in the day. They can get seeds from their local Forestry Department and they can plant the seeds in local parks and communities. Last year, I went with some students from my university and we planted new trees in the gardens of a home for old people.

In conclusion, I really think National Tree Planting Day is important. In the future, I hope other countries will have the same day. Thank you very much for listening.



1 Read a presentation about a national tree planting day. Answer the questions.

- 1 Where is Joel from?

- 2 Which Friday in October is National Tree Planting Day?

- 3 How many trees have people planted across the island since 2002?

- 4 Who plants the trees?

- 5 Where do they plant them?

- 6 Where did Joel and the students plant new trees last year?

- 7 What does he hope other countries will do in the future?

Real life making a presentation

2 Match the stages of a presentation (1–7) with these sections of Joel's presentation (a–g).

- 1 Welcome the audience. _____
- 2 Introduce yourself. _____

- 3 Introduce the title of your presentation. _____
- 4 Talk about the history. _____
- 5 Talk about the present day. _____
- 6 Conclude the presentation. _____
- 7 End the presentation. _____

- a The first National Tree Planting Day was in 2002. Since then, people have planted fifty thousand trees across the island.
- b Today, I'd like to talk about an important day in my country. It's National Tree Planting Day.
- c Good morning and thank you for coming.
- d In conclusion, I really think National Tree Planting Day is important. In the future, I hope other countries will have the same day.
- e Thank you very much for listening.
- f Nowadays, everyone from schoolchildren to business people are involved in the day.
- g My name's Joel and I'm from Jamaica.

3 Punctuation commas

Read these sentences from a presentation. Write in the missing comma.

- 1 Today I'd like to talk about an important day.
- 2 First of all my country's national day is on July 4.
- 3 Since then people have always celebrated this day.
- 4 Nowadays everyone has a day off.
- 5 Next families have a big meal together.
- 6 In conclusion I really think it's important.

12e A tree planting poster

Writing skill important words and information

1 Read these sentences for some posters. Delete the unnecessary words so you have the number of words in parentheses.

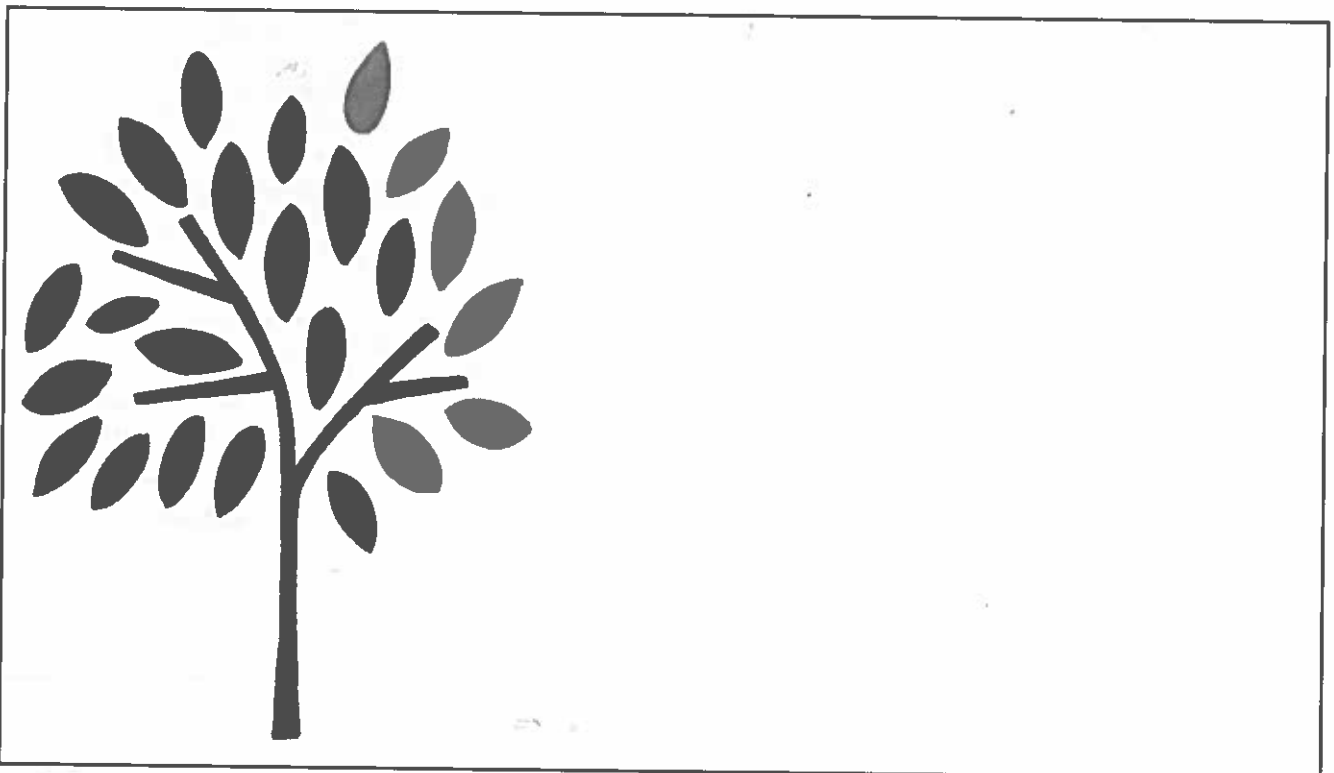
- 1 Everyone ~~is~~ invited ~~to our~~ New Year's Party! (five words)
- 2 The Annual Party is at the Town Hall on May 1. (eight words)
- 3 There is a huge sale at the Big Bed Shop all this week. (eight words)
- 4 You can eat delicious sandwiches at Jill's Café. (six words)
- 5 Visit the website www.greenfest.org for details. (four words)
- 6 The entrance to the museum is free. (four words)
- 7 Listen to live music and look at local art at the Mayberry Arts Festival. (nine words)
- 8 You are welcome to our Midsummer Party at nine. (six words)

2 Read this information about National Tree Planting Day. Underline the most important words and information.

You are invited to plant a tree on October 7 for National Tree Planting Day. We will give you free seeds to plant in the local park. There will be lots of people there and lots of entertainment, so bring the whole family. We'll have hot and cold food, and local stores will sell environmentally friendly products. We'll also have presentations about how to help the environment and information about gardening. The event is in Tenant Park, and it starts at two o'clock and it ends at five o'clock. The entrance is five dollars for adults and free for children under 16. You can call us at 617-555-4955 for more information.

Writing a poster

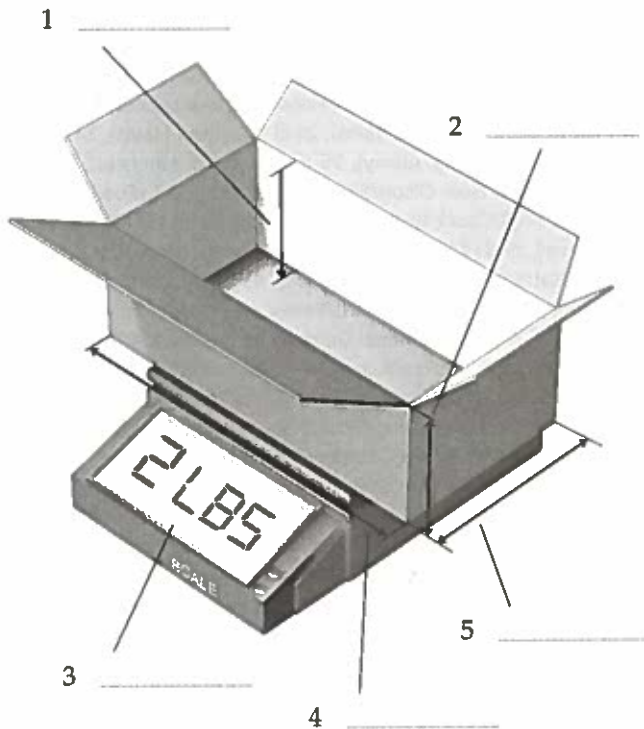
3 Write the important information from the text in Exercise 2 on this poster.



Wordbuilding word forms (2)

1 Label the diagram with these words.

height depth length weight width



2 Complete the pairs of sentences with the correct form of the measurement words.

- 1 long / length
 - a This film is very _____.
 - b What is the _____ of this movie?
- 2 high / height
 - a My son's _____ is about five feet.
 - b How _____ is that mountain?
- 3 weigh / weight
 - a The _____ is one pound.
 - b These potatoes _____ five pounds.
- 4 deep / depth
 - a This swimming pool is very _____.
 - b Nobody knows the _____ of this lake.
- 5 wide / width
 - a In some places, the Amazon River is more than 20 miles _____.
 - b The _____ of the Amazon River is bigger than any other river in the world.

3 Which measurement words in Exercise 2 are adjectives? Which word is a verb?

Learning skills your learning

4 You are at the end of this book. Think about your learning using this survey. Circle the number in Part 1 and answer the questions in Part 2. Then show the survey to your teacher and discuss your answers.

Your learning

4 = Very good 3 = Good
2 = Satisfactory 1 = Not very good

1 How was your progress in ...?

Vocabulary	4	3	2	1
Grammar	4	3	2	1
Useful phrases (in "Real life")	4	3	2	1
Pronunciation	4	3	2	1
Reading	4	3	2	1
Listening	4	3	2	1
Speaking	4	3	2	1
Writing	4	3	2	1

2 What do you want to do in the future? Do you want to do another English course?

Give details:

Check!

5 What do these numbers refer to in Unit 12 of the Student Book?

1 57 million square miles

2 154 feet

3 2009

4 11 trillion

5 20 million
